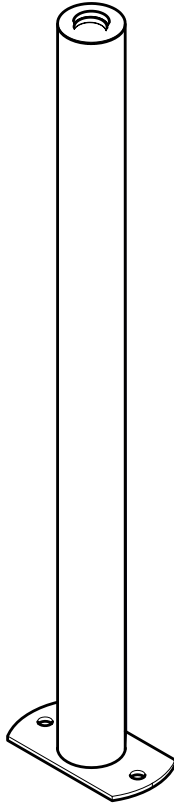


Installation Guide

SPK504

Kiosk Top pole





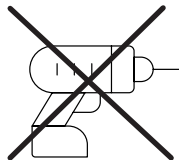
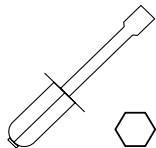
CAUTION

This product is intended for indoor use only.

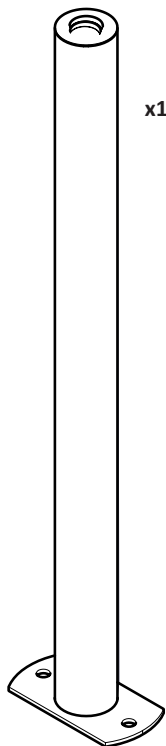
If these installation instructions are not followed correctly, it could lead to product failure and potential personal injury.

Ergonomic Solutions/SpacePole cannot be held responsible for any failure or injury, if the installation instructions are not followed correctly.

Tool list



Box content

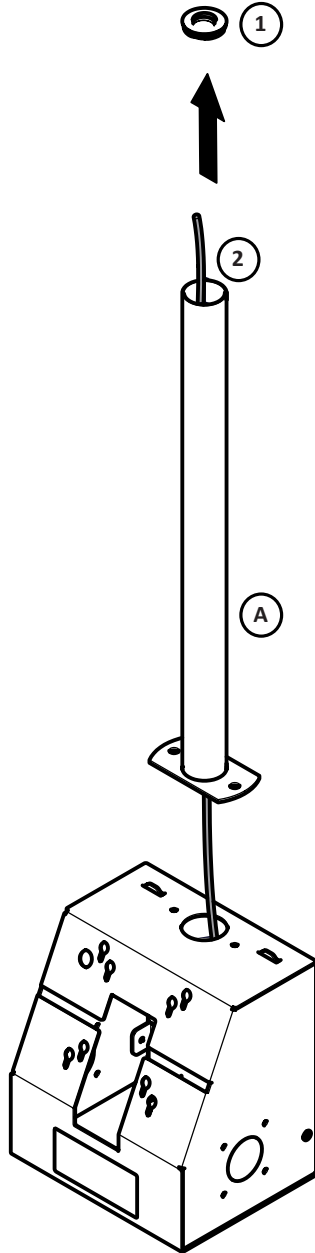


x1 (A)



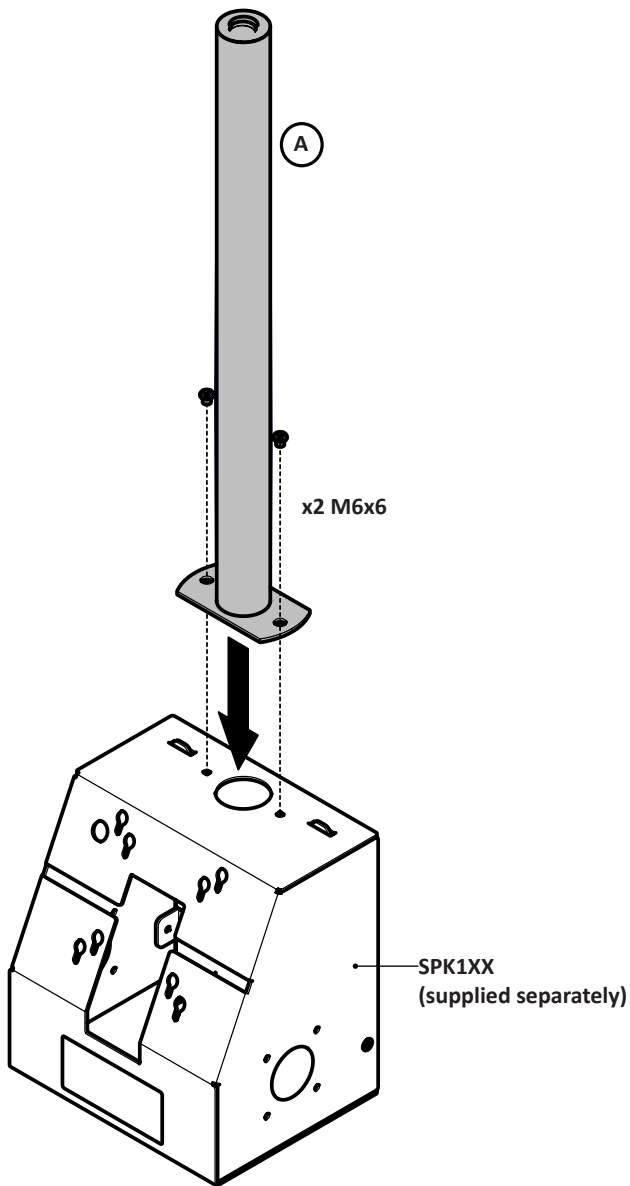
x2 M6x6

1 Optional: Cable management

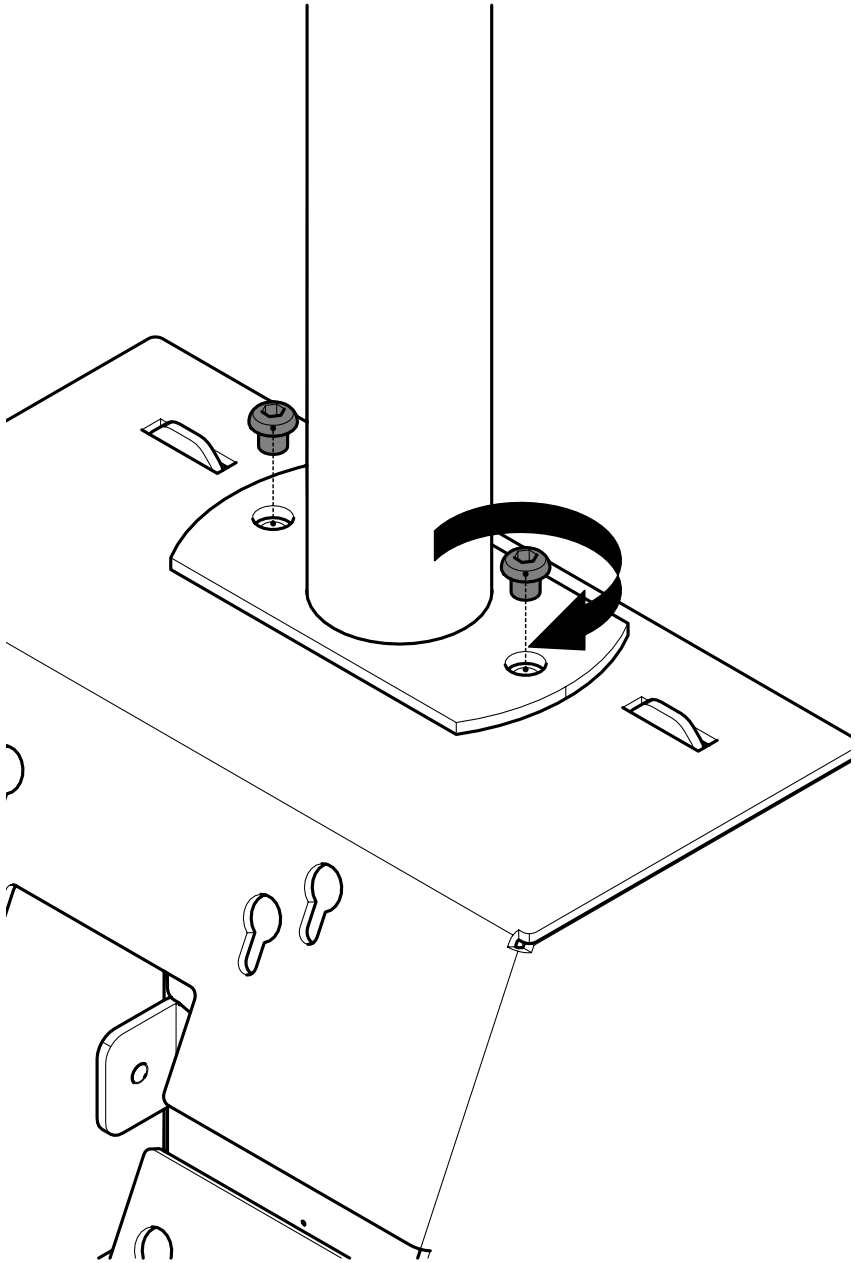


2

Mount the Top pole on the Top module



3 Secure the Top pole



Need help? Contact us



ergonomic.solutions/about/contact-us

spacepole.com/about/contact-us